

Z-Light 26TX

Product Specifications



Z-Light 26TX

Product Specifications



Product Description

26 milliwatt optical transmitter, maximum optical split is 1x32.

Features



26 mW output power in 1RU



Primarily used for TV video signals, digital TV signals & data signals transported over fiber



1310 ± 20nm wavelength



High performance DFB direct modulated laser, advanced pre-distortion circuit & digital automatic processing techniques



Microprocessor monitoring system automatically ensures excellent performance

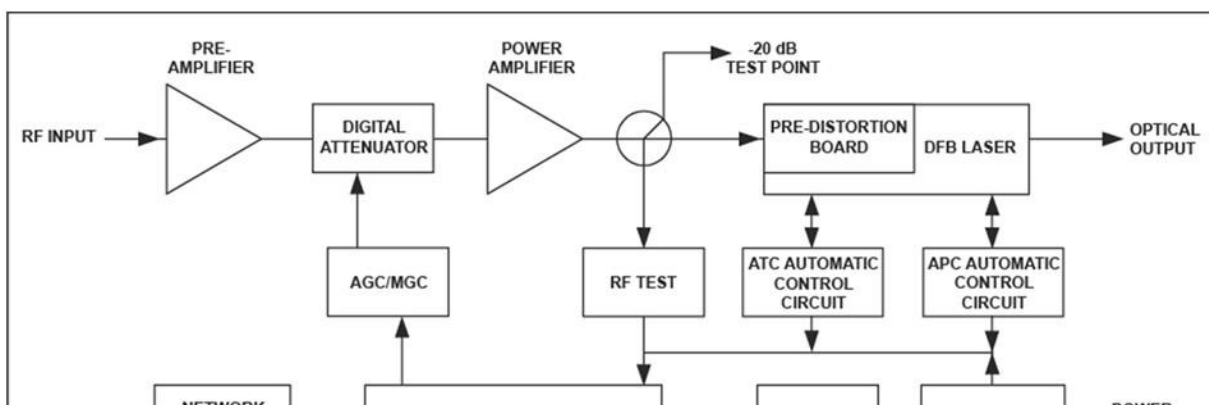


47-1003 MHz at levels from 5-20 dBmV (AGC/MGC)



Electronic level setting & adjustments

Functional Schematic



Z-Light 26TX

Product Specifications



Z-Light 26TX

Product Specifications



Part #	ZBT0080149
Optical Information	Modulation Mode: Direct optical intensity modulation Connector Type: SC/APC Power: 26 mW Wavelength: 1310nm +/- 20
Physical Description	Dimensions: 1.75" H x 19.0" W x 15.0" D (44 H x 483 W x 380 D mm) Weight: 11.0 lbs (5.0 kg)
Electrical Power	Power Consumption: 30W Power Voltage: 110-250 VAC (50/60 Hz) (redundant power)
Laser Type	ORTEL DFB laser
Frequency Range	47 to 750 / 862/ 1003 MHz (depending on selected channel load)
RF Input	Level: +12 to +28 dBmV Impedance: 75 Ohm
Flatness in Band	+/- 0.75 dB
Input Return Loss	≥ 16 dB (47 to 550 MHz); ≥ 14 dB (550 to 1003 MHz)
Distortion	C/CSO ≥ 60 dB C/CTB ≥ 65 dB C/N ≥ 51 dB
Control Range	AGC: +/- 5 dB MGC: 0 - 20 dB
Environment	Operating Temperatures: 32°F to 113°F (0°C to 45°C) Store Temperatures: -4°F to 150°F (-20°C to 65°C) Relative Humidity: Max 95% (non-condensing)