

# Z-TV Balun 232

## Product Specifications



# Z-TV Balun 232

## Product Specifications

### Product Description

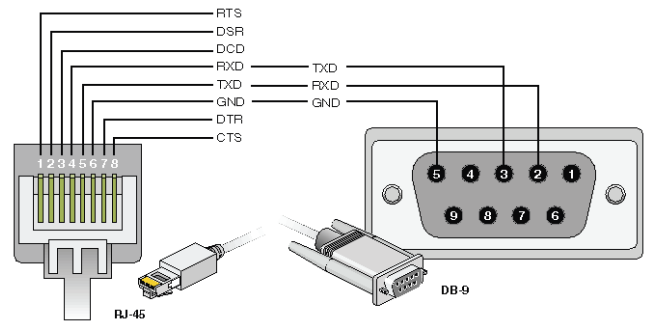
The *Z-TV Balun 232* with DB9 cable assembly is located at the receive end and permits a TV, Set-Top Box, or PC with a Tuner Card to be controlled over CAT 6 cable. The *Z-TV Balun 232* is not only an RS-232 control device, but serves as a small self-adjusting amplifier and TV signal conditioner.

The input to the *Z-TV Balun 232* from a wall outlet is connected via an RJ-45 Jack, and its output features an F-Connector and an auxiliary RJ-45 Jack for *Z-TV Control 232*. Available in a free-hanging configuration.

### Features

#### Control Systems Functions/Options:



- ✓ Scheduling
- ✓ Turns TVs On and Off
- ✓ Controls Channel Selection
- ✓ Changes Volume Control
- ✓ Controls Selective TV Display Groups or Individual TVs
- ✓ Changes TV Inputs (HDMI, VGA, AUX)
- ✓ Can be Used for Alert Notification
- ✓ Uses Any Network or Lan Mobile
- ✓ Devices (Smartphone, Tablet)



Part #	ZBT0010023
Physical Description	<p><b>Weight:</b> Approx. 6 ounces</p> <p><b>Dimensions:</b> 2.8"L x 2.4"W x 1.0"H</p> <p>F-Connector (bottom)</p> <p>(2) RJ-45 Jacks (top)</p> <p>LED distance indicators (bottom)</p>
Electrical Power	<p><b>Z-232 Function:</b> 12V DC at 1/2 watt supplied remotely on pins 1&amp;2 via Z-TV Balun 232 Control HUB</p> <p><b>With RF Video:</b> 8V DC at 1/2 watt supplied remotely on pins 7&amp;8 via Z-Distribution (video hub)</p>

# Z-TV Balun 232

## Product Specifications

Network Protection	Impedance matching 100 ohm to 75 ohm with signature protection to avoid accidental connection
RF Video Signal Characteristics	<b>Forward:</b> 54 MHz to 860 MHz (pins 7&8) Assures proper TV receive level 0 to +15 dBmV for analog signals and +/-10 dBmV for digital <b>Return Path:</b> 5 MHz to 42 MHz <b>Return Loss:</b> greater than 14 dB
Serial Data	 RS-232 Outport (1) RJ- 45 (top)  9600 Baud Rate
Environment	<b>Operating Temperature:</b> 0° to 55° C <b>Relative Humidity:</b> 5 to 95% <b>Storage Temperature:</b> -40° to 70° C
Agency Standards	UL/CSA Listed, FCC Regulations, Part 15 Compliant