

# Z-Light 6TX

## Product Specifications



# Z-Light 6TX

## Product Specifications



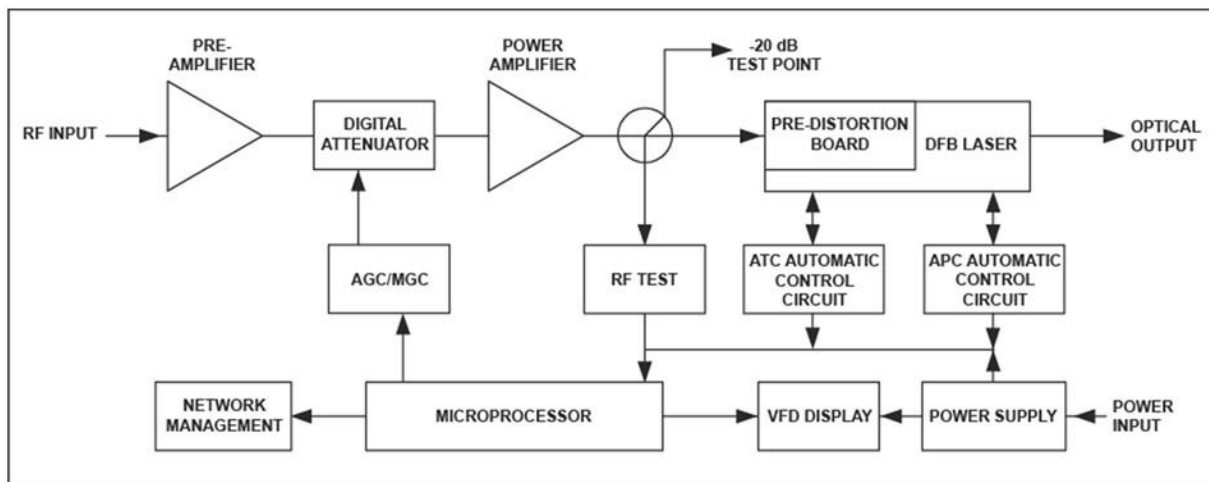
### Product Description

6 milliwatt optical transmitter, maximum optical split is 1x4

### Features

- ✓ 6 mW output power in 1RU
- ✓ Primarily used for TV video signals, digital TV signals & data signals transported over fiber
- ✓ Powering by 90-250 VAC (50 to 60 Hz) or -48 VDC
- ✓  $1310 \pm 20\text{nm}$  wavelength
- ✓ High performance DFB direct modulated laser, advanced pre-distortion circuit & digital automatic processing techniques
- ✓ Microprocessor monitoring system automatically ensures excellent performance
- ✓ 45-550 MHz at levels from 5-20 dBmV (AGC/MGC)
- ✓ Electronic level setting & adjustments

### Functional Schematic



# Z-Light 6TX

## Product Specifications



<b>Part #</b>	<b>ZBT0080147</b>
<b>Optical Information</b>	<b>Modulation Mode:</b> Direct optical intensity modulation <b>Connector Type:</b> SC/APC <b>Power:</b> 6 mW <b>Wavelength:</b> 1310nm +/- 20
<b>Physical Description</b>	<b>Dimensions:</b> 1.75" H x 19.0" W x 15.0" D (44 H x 483 W x 380 D mm) <b>Weight:</b> 11.0 lbs (5.0 kg)
<b>Electrical Power</b>	<b>Power Consumption:</b> 30W <b>Power Voltage:</b> 110-250 VAC (50/60 Hz) (redundant power)
<b>Laser Type</b>	ORTEL DFB laser
<b>Frequency Range</b>	47 to 750 / 862/ 1003 MHz (depending on selected channel load)
<b>RF Input</b>	<b>Level:</b> +12 to +28 dBmV <b>Impedance:</b> 75 Ohm
<b>Flatness in Band</b>	+/- 0.75 dB
<b>Input Return Loss</b>	≥ 16 dB (47 to 550 MHz); ≥ 14 dB (550 to 1003 MHz)
<b>Distortion</b>	<b>C/CSO</b> ≥ 60 dB <b>C/CTB</b> ≥ 65 dB <b>C/N</b> ≥ 51 dB
<b>Control Range</b>	<b>AGC:</b> +/- 5 dB <b>MGC:</b> 0 - 20 dB
<b>Environment</b>	<b>Operating Temperatures:</b> 32°F to 113°F (0°C to 45°C) <b>Store Temperatures:</b> -4°F to 150°F (-20°C to 65°C) <b>Relative Humidity:</b> Max 95% (non-condensing)